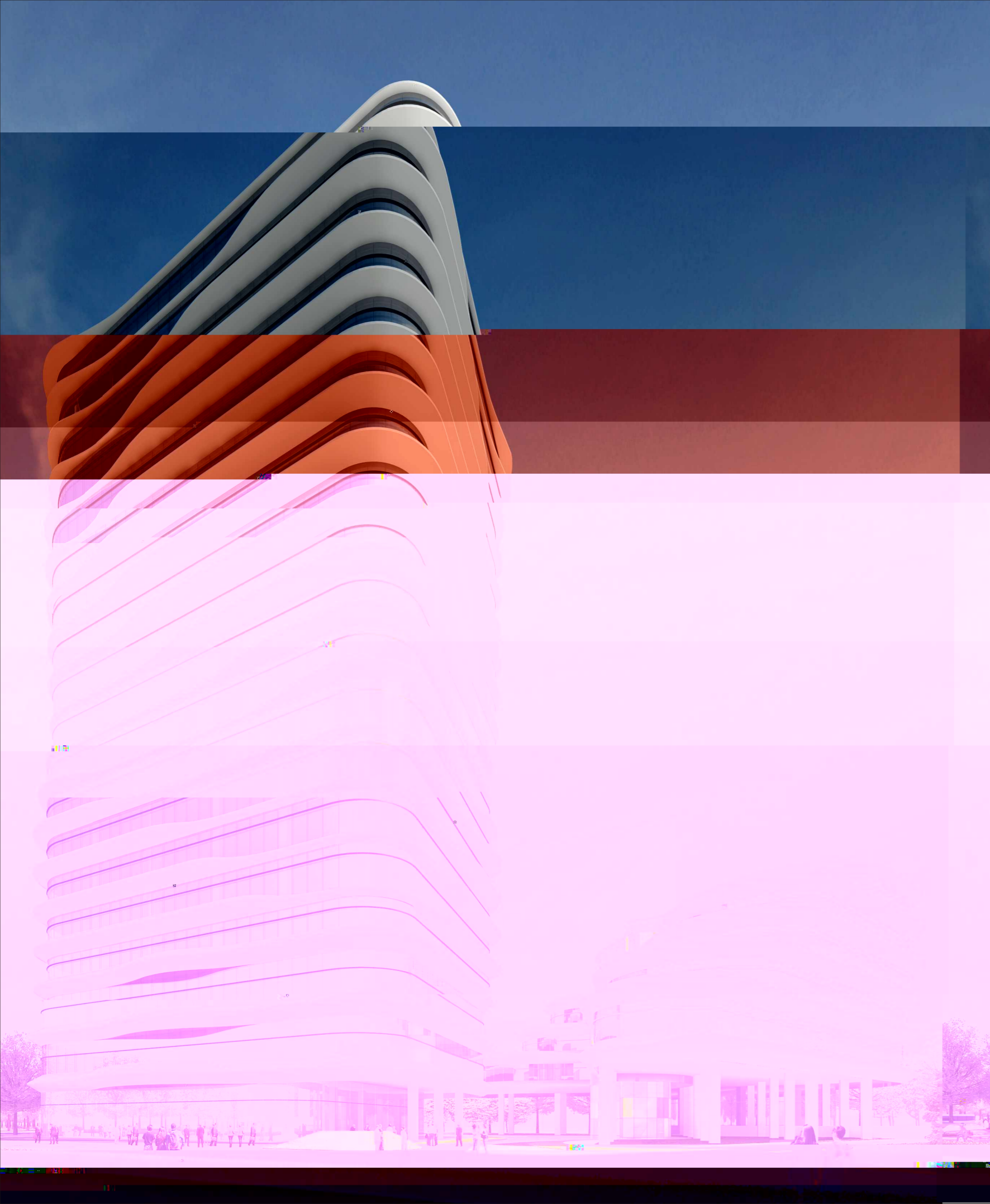


82

8



About us

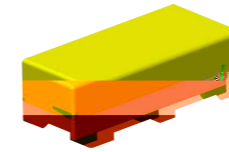
LED

2000

Mini LED Micro LED AI

SHENZHEN REFOND OPTOELECTRONICS CO.,LTD(hereinafter referred to "Refond"), a world renowned LED packaging solution and product provider, specializing in the development and production of LED light sources and application solutions. Since the foundation in 2000, Refond hold the core competitiveness: scientific and technological innovation, technology-leading and product- customized. We established deep business and strategic cooperation with top international brands. For the moment, we focus on the development and business layout of Mini LED Micro LED and AI sensor components, enhancing our core competitiveness and sustainable profitability. After over years of development and accumulation, with technology innovation, Refond help customers in various industries to meet the needs of current and future social development. In the future, Refond will strive to uphold the philosophy of "innovation enriches life", integrate global resources and technology, and pursue continuous innovation and development, committed to realize the corporate vision of becoming a leading global technology company.

CHIP LED



0402 series

Dimension(L*W*H): 1.0*0.5*0.4mm

0402 series (0402 1.0*0.5*0.4mm)

0603 series (B190 B191: 1.6*0.8*0.7mm)

0603 series (M190 1.6*0.8*0.4mm)

0603 Bi-color and RGB series(S196 S198 1.6*1.6*0.7mm)

0805 series(B170 2.0*1.25*0.7mm)

1206 series (S150 3.2*1.6*0.7mm)

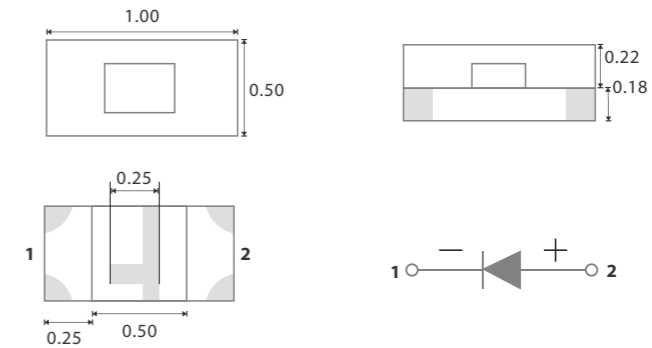
1206 Bi-color and RGB series (S155 3.2*2.7*0.7mm)

1204 series (T112 3.2*1.0*1.5mm)

1204 Bi-color series (S115 3.2*1.0*1.48mm)

1204 RGB series (S118 3.2*1.0*1.48mm)

Package Outline Drawing:

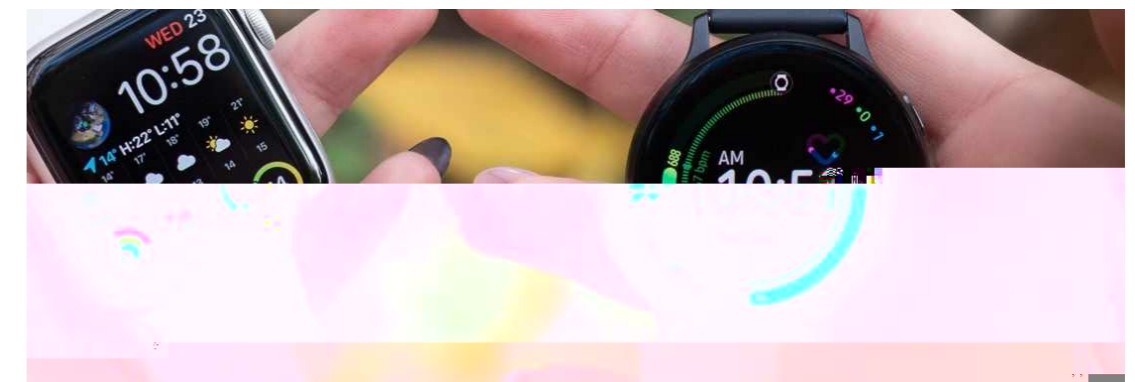


Parameter:

Part No.	Color	IF (mA)	D (nm)	VF (V)	IJ (mcd)	2 ^{1/2} (°)
RF-BU0402TS-CE-B	Blue	5	470	28	70	140
RF-GN0402TS-CF-B	Green	5	522	25	290	140
RF-YU0402TS-AE-B	Yellow	5	588	1.9	15	140
RF-OU0402TS-CE-B	Orange	5	622	1.9	28	140
RF-WU0402DS-DD-B	White	5	027/027	275	230	140

Product Character

Mainly used in the wearable market: the elderly care areas, mobile medical, child anti-lost, smart glasses, smart bands, smart watches

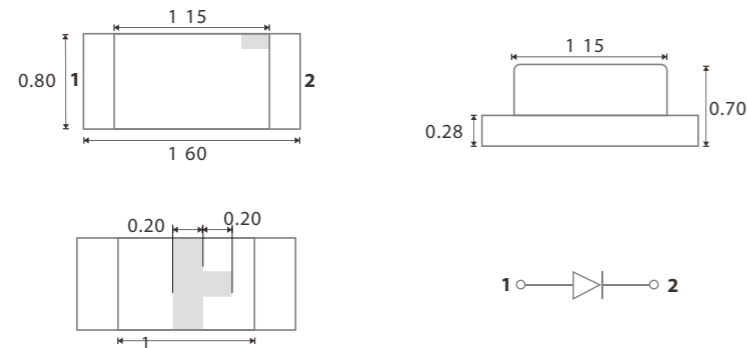




0603 IR Series

Dimension(L*W*H): 1.6*0.8*0.7mm

Package Outline Drawing:

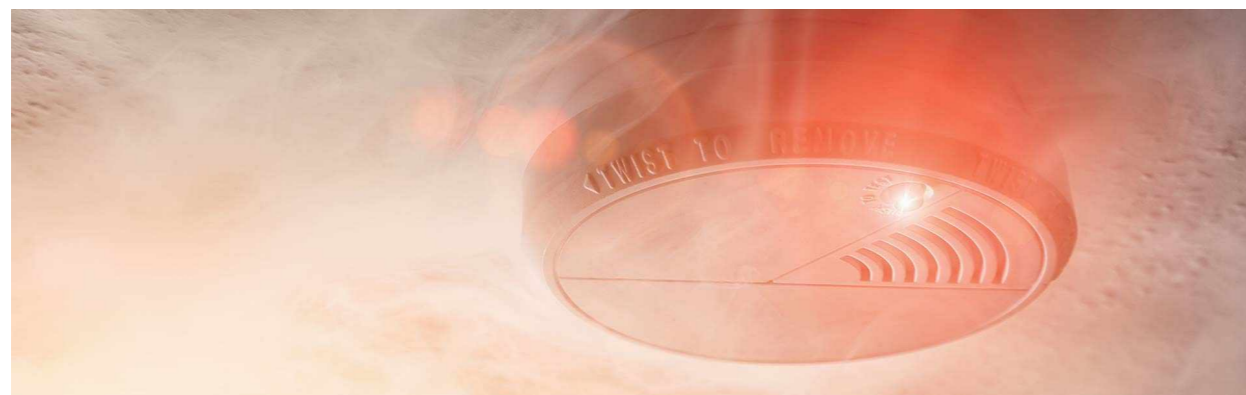


Parameter:

Part No.	IF (mA)	Radiant intensity	Peak Wavelength	Spectral bandwidth	Reverse Voltage	2 1/2 (°)
RF-IRBB191TS-14-G	50	5.5mw/sr	850nm	80nm	1.3V	140
RF-IRDB191TS-14-G	50	5mw/sr	940nm	50nm	1.2V	140

Product Character

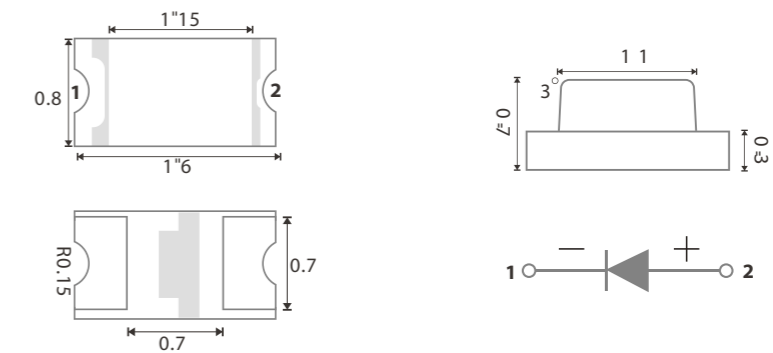
Infrared sensor, infrared remote control, smoke detector, infrared application system



B190 Series

Dimension(L*W*H): 1.6*0.8*0.7mm

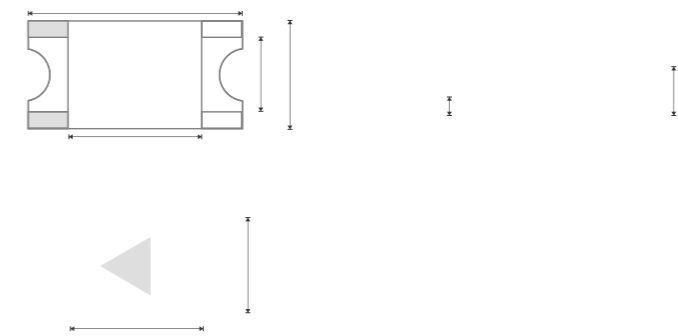
Package Outline Drawing:



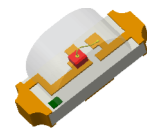
Parameter:

Part No.	Color	IF (mA)	D (nm)	VF (V)	IJ (mcd)	2 1/2 (°)
RF-GTB190TS-CA	YellowGreen	20	568	2	20	140
RF-YUB190TS-CA	Yellow	20	588	2	120	140
RF-AUB190TS-CA	Amber	20	603	2	120	140
RF-OUB190TS-CA	Orange	20	620	1.8	120	140
RF-WUB190DS-DD	Whiet	20	0.255/0.240	3.1	800	140





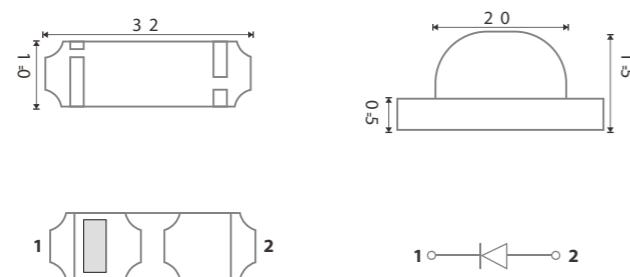
Part No.	Color	IF (mA)	D (nm)	VF (V)	IJ (mcd)	$2\frac{1}{2}$ (°)
----------	-------	------------	-----------	-----------	-------------	-----------------------



T112 series

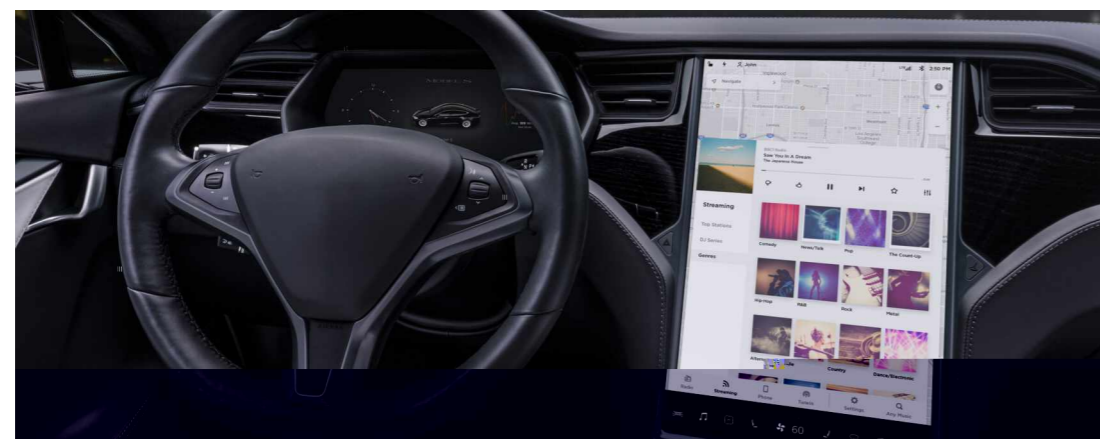
Dimension(L*W*H): 3.2*1.0*1.5mm

Package Outline Drawing:



Parameter:

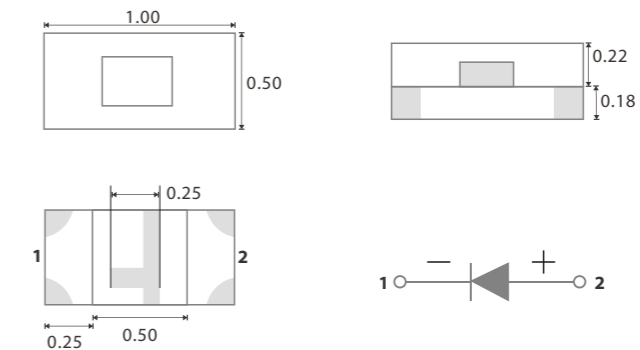
Part No.	Color	IF (mA)	D (nm)	VF (V)	IJ (mcd)	2 1/2 (°)
RF-RUT112TS-BD	Red	20	630	2	50	160
RF-OUT112TS-CE	Orange	20	622	2	90	160
RF-YUT112TS-AE	Yellow	20	588	2	90	160
RF-BNT112TS-CF	Blue	20	470	3.1	90	160
RF-GNT112TS-CF	Green	20	523	3.1	330	160
RF-GST112TS-BC	Yellow Green	20	570	2	40	160



0402 IR series

Dimension(L*W*H): 1.0*0.5*0.4mm

Package Outline Drawing:

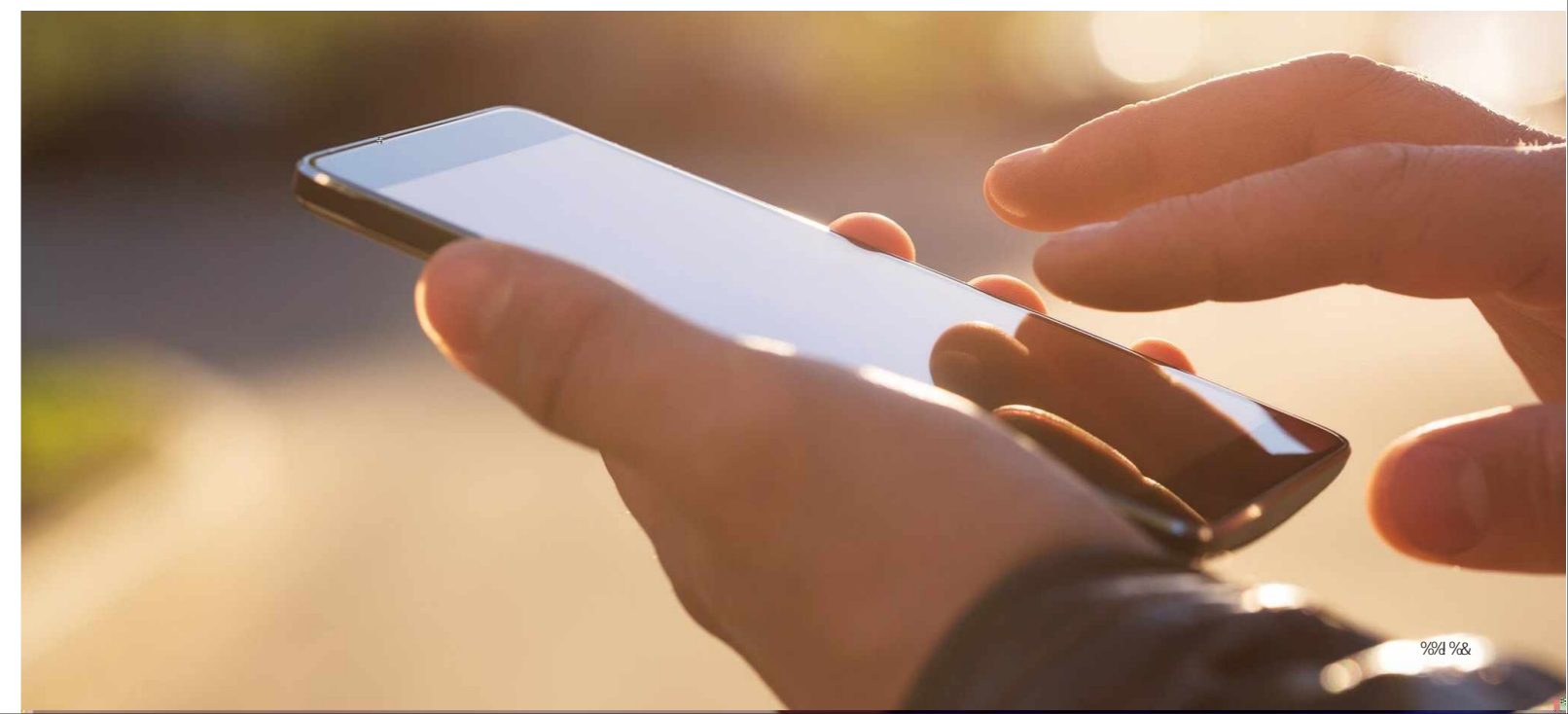


Parameter:

Part No.	Test Condition(mA)	Radiant intensity	Peak Wavelength	Spectral bandwidth	Reverse Voltage	2 1/2 (°)
RF-IRB0402TS-10-G	50	4.5mw/sr	850nm	30nm	1.3V	140
RF-IRD0402TS-10-G	50	4mw/sr	940nm	30nm	1.2V	140

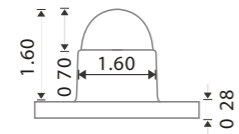
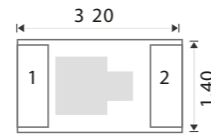
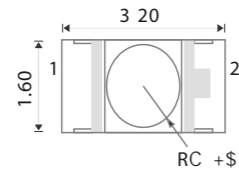
Product Character

Close range sensor, mobile devices, intelligent household



L500 6UL191TS-T

// žž



Part No.	Color	IF (mA)	D (nm)	VF (V)	IJ (mcd)	$2\frac{1}{2}$ (°)
RF-AUL150TS-CB-E1	Amber	20	600-615	1.8-2.4	530-2800	30
RF-BUL150TS-CE-E1	Blue	20	460-470	2.8-3.4	150-1200	30
RF-GUL150TS-BE-E1	Yellow-green	20	565-575	1.6-2.4	150-1200	30
RF-OUL150TS-CA-E1	Orange	20	620-630	1.8-2.3	1200-4300	30
RF-RUL150TS-CA-E1	Red	20	625-640	1.8-2.4	230-1200	30
RF-UL150TS-CG-E1	Green	20	510-520	2.3-3.5	1200-10000	30
RF-YUL150TS-AC-E1	Yellow	20	580-590	1.8-2.4	530-2800	30

Amber

600-610

RF-B

